

Planopor - Planofloor - Planoline

Shower elements tiled to floor level

burda



Burda Planopor - Planofloor - Planoline

Shower elements tiled to floor level

Shower elements are used anywhere where showers tiled to floor level are preferred to conventional shower trays. Embedded flush in the screed and then tiled, the elements with impermeable coating create an easily produced basis for reliably draining floor-level showers. Be they in barrier-free buildings or in a private wellness spa, in a new build or a renovation project, showers tiled at floor level are in fashion, as they offer a series of interesting benefits:

Barrier-free elegance

A shower area tiled to floor level always creates a modern, generous atmosphere – an environment from which you hope to get an everyday feeling of well-being and relaxation.

Easy cleaning

A shower tiled to the floor without lots of corners and edges can be quickly wiped down and is therefore easy to keep clean. The drain grate or channel cover and siphon element can be taken out for easy cleaning. Floor-level showers are simply a thing of cleanliness.

Barrier-free access

Barrier-free access to a floor-level shower area is not only an expression of modern elegance but also a plus in terms of living quality – certainly your whole life long.



Building requirements and layout

The completely pre-assembled and ready-to-tilde shower elements from Burda make it possible to produce floor-level shower areas without any elaborate preparation. The shower elements are simply embedded flush in the screed, fastened to the subfloor with tile adhesive and then tiled by the tradesman carrying out the work. Manual modelling of the outlet angle, awkwardly sealing in the drain and subsequently sealing the surface are not necessary in this case. The elements already come from the factory with a ready-made drainage slope, a pre-assembled and sealed in drain chamber and an impermeable and coated surface ready for tiling.

Requirement

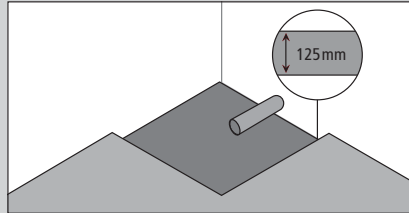
A constructional requirement for installing a shower area tiled to floor level is an adequate screed thickness. This is required so that the shower element and drain can be embedded flush in the floor and then be continuously tiled.

The installation dimensions of the Planopor, Planofloor and Planoline shower elements are adapted to a screed depth of around 100-150 mm so that they can be used almost anywhere, both in new builds and renovation projects.

What screed thickness is actually needed to embed the shower element flush in the floor depends on the building requirements in question.

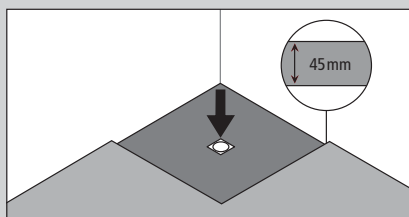
Side outlet

Where a side outlet to the down-pipe in the wall is required, a recess of only 125 mm in the screed is enough to be able to embed the shower element and the substructure element flush with the drain.

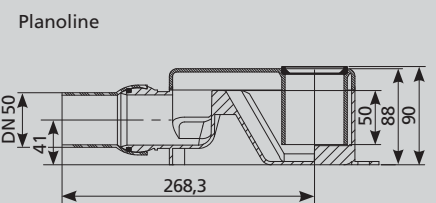
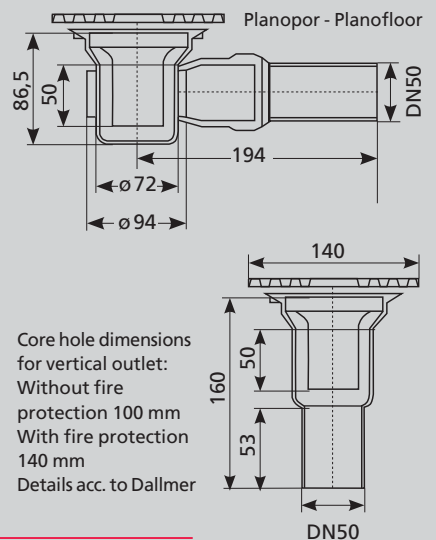


Vertical outlet

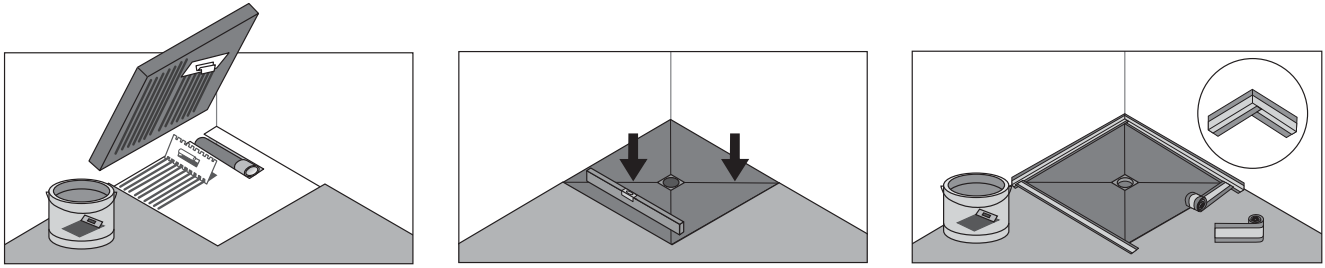
Where a vertical outlet can be led directly down through the ceiling, no substructure element is required. A screed depth of just 45 mm is enough here to embed the shower element flush in the screed.



Installation dimensions in mm

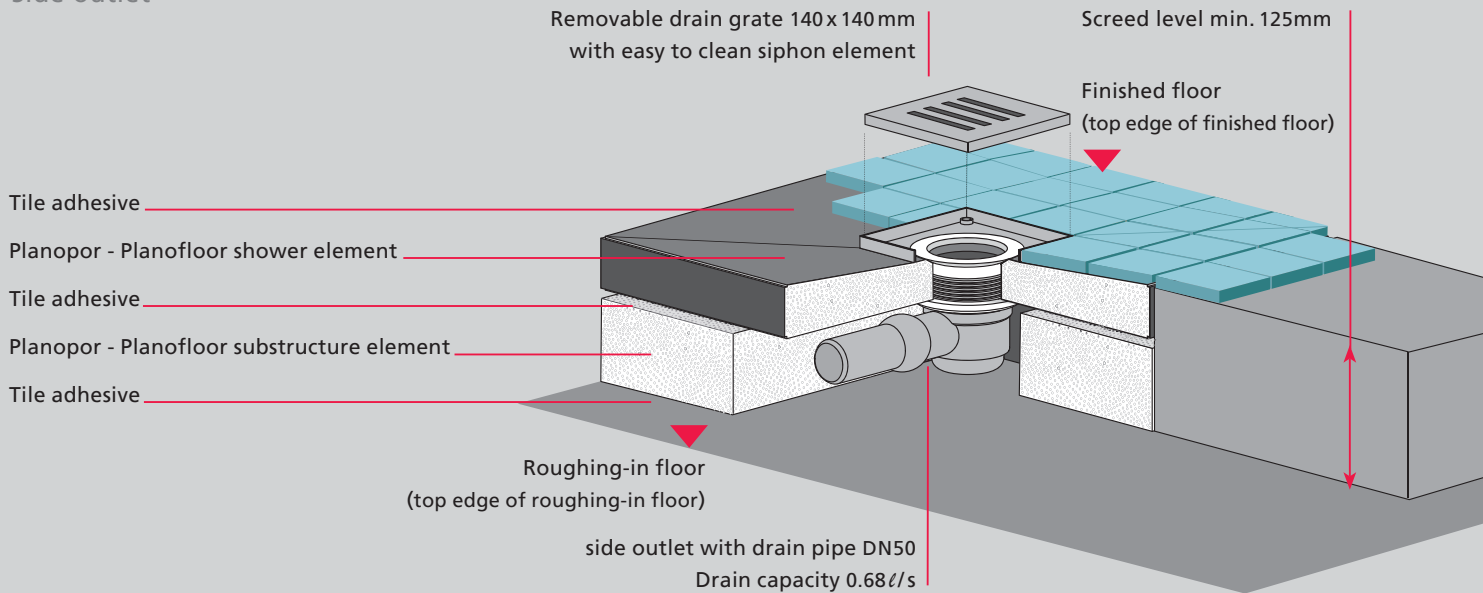


Planopor - Planofloor

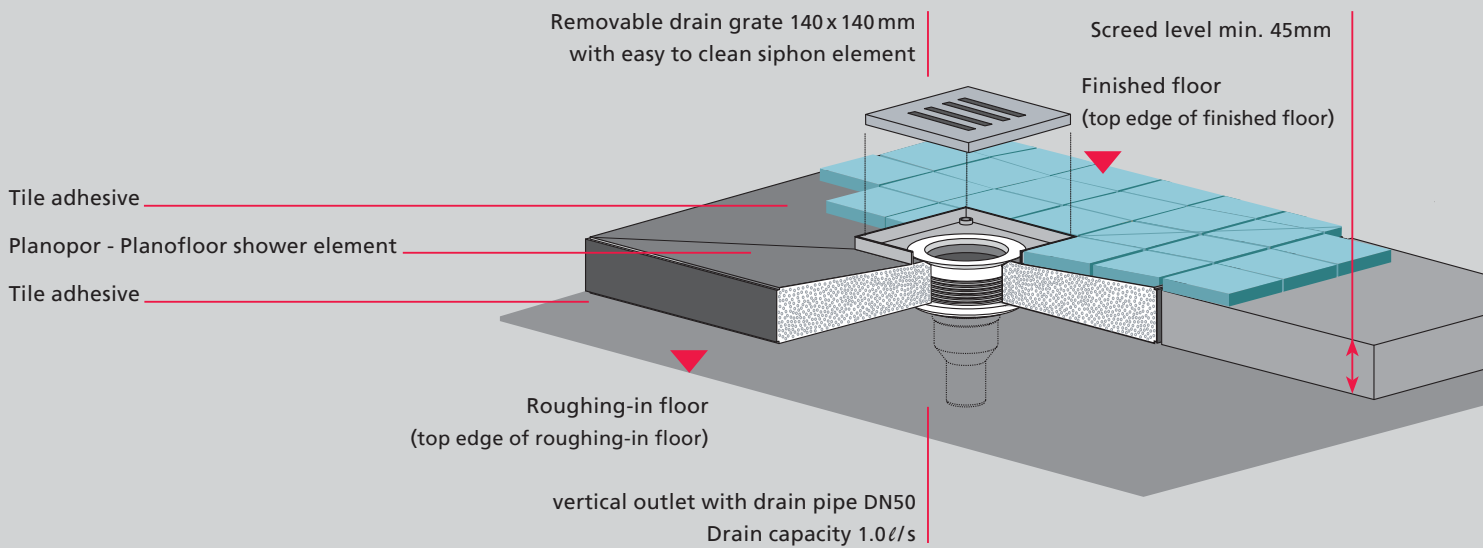


The impermeable shower element is embedded flush in the screed, glued, sealed and tiled level with the floor.

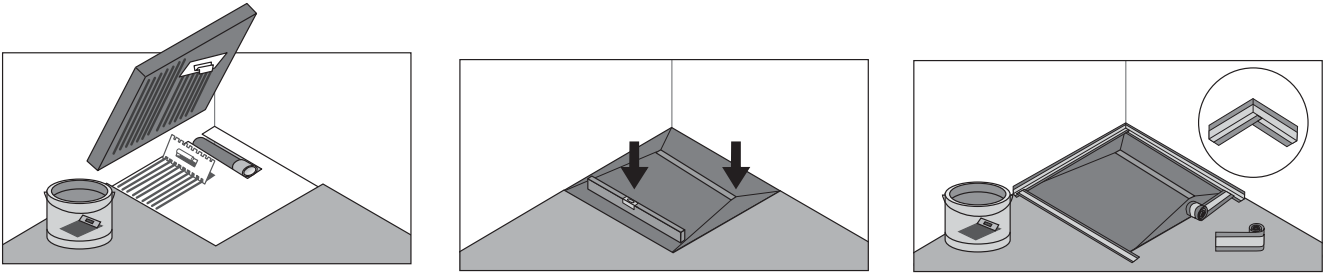
Side outlet



Vertical outlet

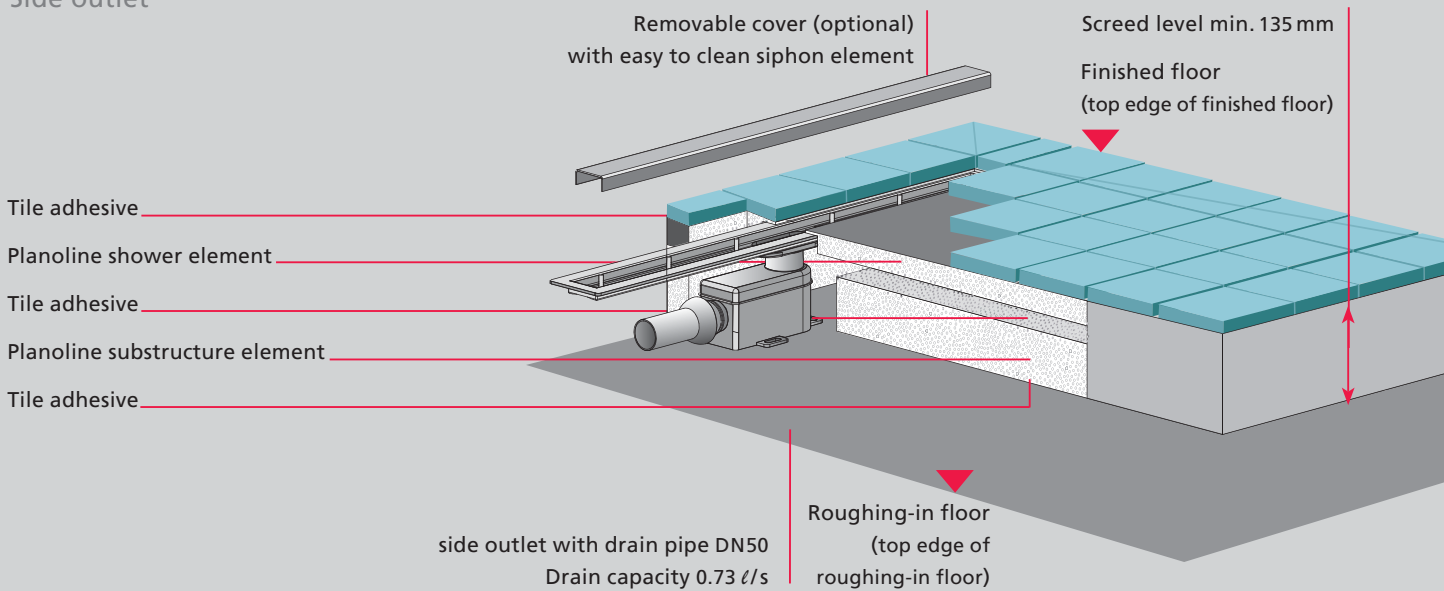


Planoline

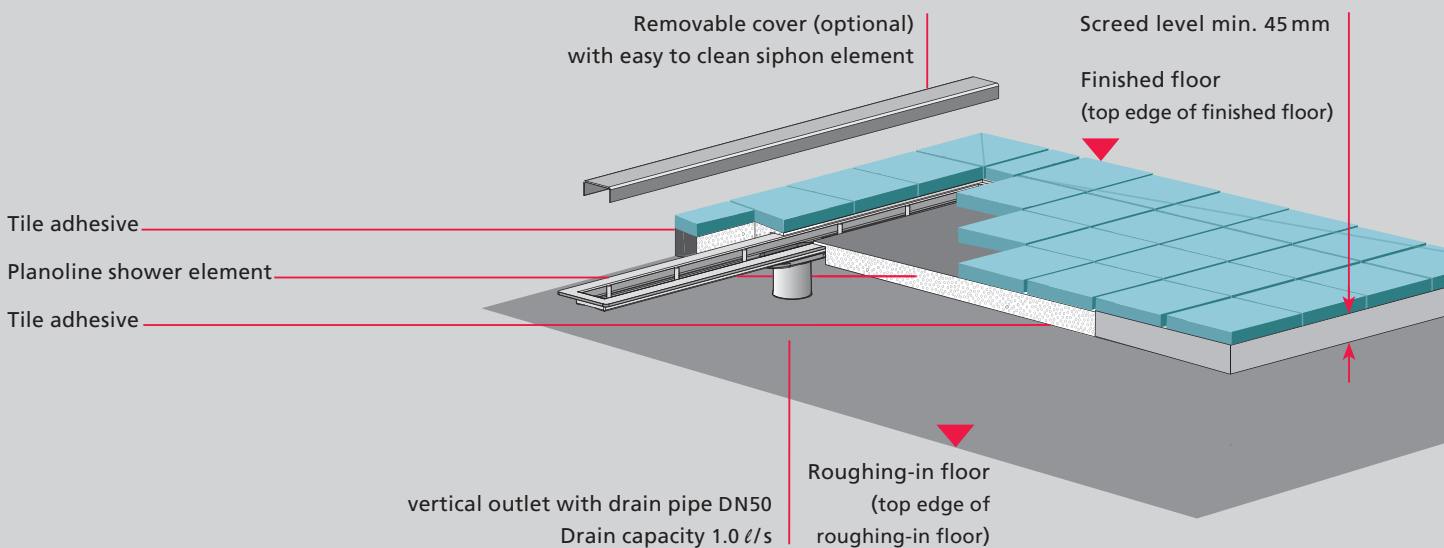


The impermeable shower element is embedded flush in the screed, glued, sealed and tiled level with the floor.

Side outlet



Vertical outlet



Facts and figures: Planopor

The Planopor standard range includes a series of popular shower formats and sizes, adapted to the size of standard shower partitions. Besides that, Planopor also allows individual shower areas to be fitted precisely in room niches, against projecting walls and even in quirky floor plans. Turning special requests quickly and reliably into reality is not the exception at Burda but an everyday occurrence. Talk to your fitter or your wholesaler and in your next bathroom have your dream shower tiled to floor level installed in the dimensions you want.

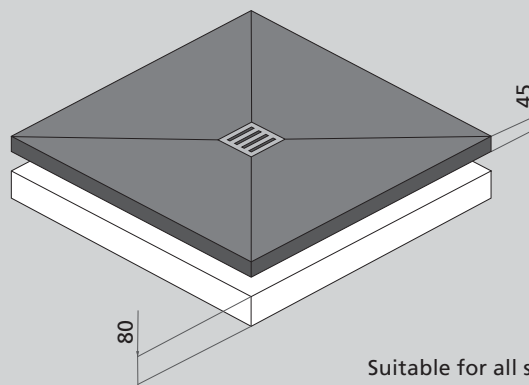
Planopor standard

Standard Planopor shower elements

Square

Scope of delivery:

- Shower element
- Floor drain DIN EN 1253
- Substructure element (optional)
- Standard drain grate



DRAINAGE CAPACITY
Horizontal: 0.68 l/s
Vertical: 1.00 l/s

900 mm x 900 mm
1000 mm x 1000 mm
1000 mm x 1200 mm
1200 mm x 1200 mm
1300 mm x 1300 mm
1500 mm x 1500 mm

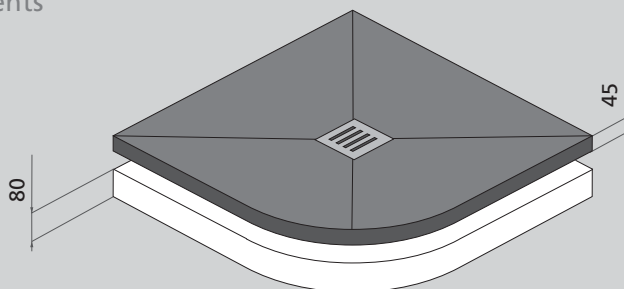
Suitable for all standard shower partitions

Standard Planopor shower elements

Quadrant

Scope of delivery:

- Shower element
- Floor drain DIN EN1253
- Substructure element (optional)
- Standard drain grate



800 mm x 800 mm
900 mm x 900 mm
1000 mm x 1000 mm
1000 mm x 1200 mm
1200 mm x 1200 mm
1500 mm x 1500 mm

Suitable for all standard shower partitions

Available in the accessories:

- The complete assembly materials such as sealing compound and sealing tapes for internal and external corners
- Level compensating elements for adjusting the height of the substructure to the screed level
- High quality designer grates made of solid, polished V4A stainless steel (140 mm x 140 mm x 5 mm)
- Frame tops for the floor drain (when using thicker tiles or a natural stone facing)

Note for barrier-free construction:

- motion profiles need to be laid in the transition area (shower element / room screed),
- in the area adjoining the motion profile and around the outlet frame, permanently elastic joints must be created.

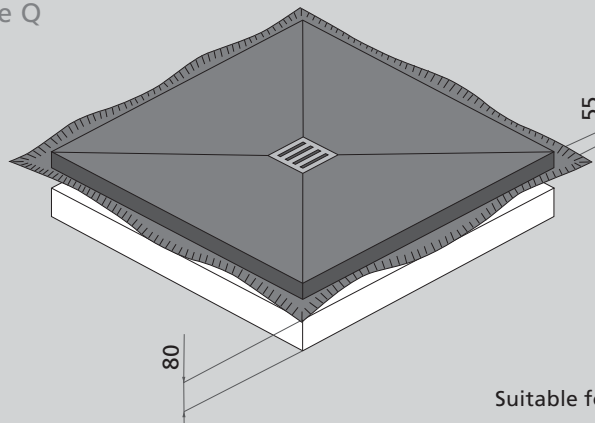
Facts and figures: Planofloor

Planofloor shower elements are made of high quality, homogenous and solid coloured mineral material. It is therefore possible to produce floor-level showers without tiles and joints. Due to the slope moulded into the surface, water from the shower is safely directed to the centrally embedded drain. The mineral material surface is very durable, anti-slip and heat insulating, meaning that the material feels pleasantly warm to the feet.

Planofloor shower element type Q Square

Scope of delivery:

- Shower element
- floor drain DN 50
- Sealing tape



DRAINAGE CAPACITY
Horizontal: 0.68 l/s
Vertical: 1.00 l/s

horizontal/vertical outlet

900 mm x 900 mm

1000 mm x 1000 mm

1200 mm x 1200 mm

Suitable for all standard shower partitions

Available in the accessories:

- Ready to use, solvent-free sealing compound for elastic, watertight seals
- Level compensating elements for adjusting the height of the substructure to the screed level
- High quality designer grates made of solid, polished V4A stainless steel (140 mm x 140 mm x 5 mm)

Note for barrier-free construction:

- motion profiles need to be laid in the transition area (shower element / room screed),
- in the area adjoining the motion profile and around the outlet frame, permanently elastic joints must be created.

Colours:

- free to choose according to the RAL colour scale

Facts and figures: Planoline

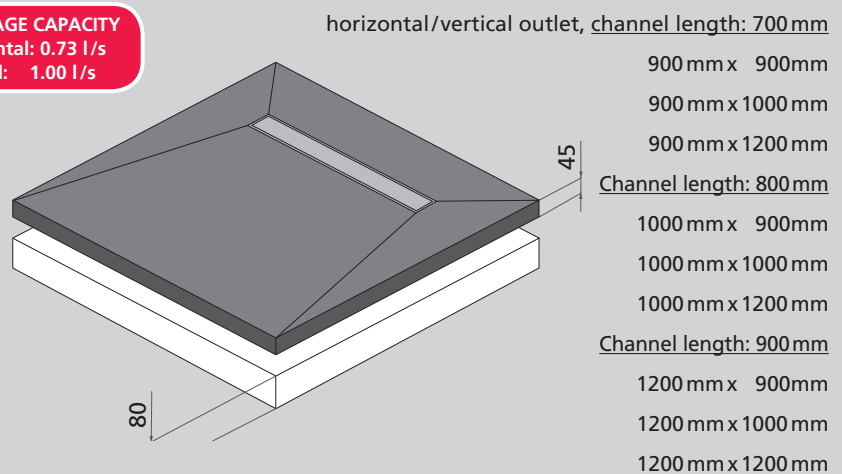
Planoline shower elements are designed for a ceramic facing and are used anywhere where building regulations demand barrier-free construction, such as in old people's homes, flats for disabled people etc. but also where the comfort and aesthetics of modern building methods are preferred. It involves an expanded polystyrene hard foam core with fibre glass fabric, reinforced grout coating and alternative seal, with integrated incline of approx. 2%.

Planoline, the floor-level shower element with shower channel (one part)

Scope of delivery:

- built-in shower element (d=45 mm)
- floor drain DN 50
- levelling element
- without shower channel cover

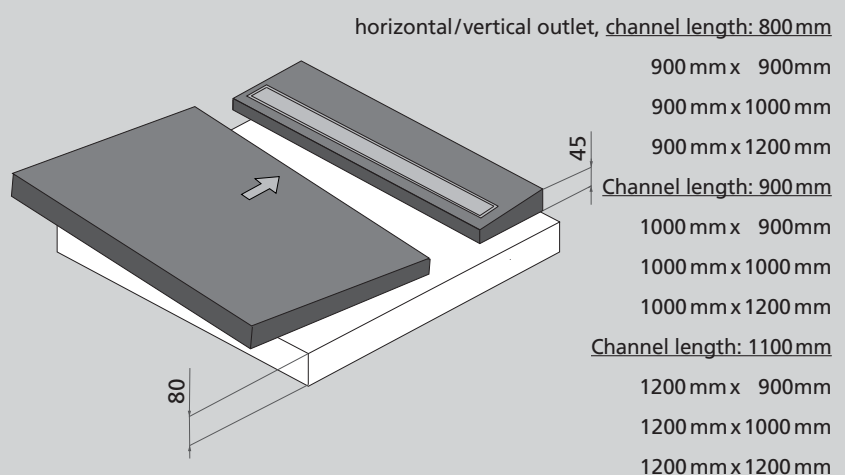
DRAINAGE CAPACITY
Horizontal: 0.73 l/s
Vertical: 1.00 l/s



Planoline, the floor-level shower element with shower channel (two part)

Scope of delivery:

- built-in shower element (d=45 mm)
- floor drain DN 50
- levelling element
- without shower channel cover



Available in the accessories:

- The complete range (see also Planofloor)

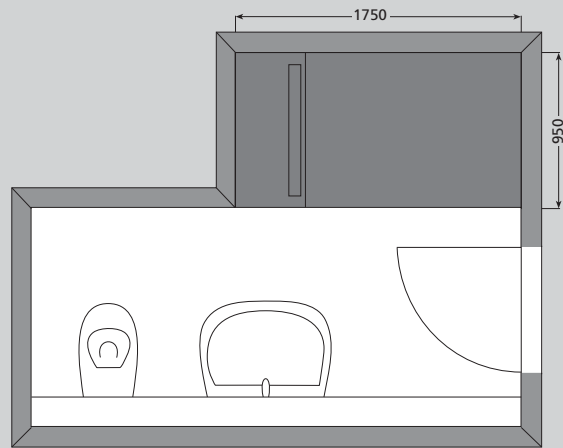
Note for barrier-free construction:

- when using wheelchairs, the tiles must have a minimum size of 10x10 cm.
- motion profiles need to be laid in the transition area (shower element/room screed),
- in the area adjoining the motion profile, permanently elastic joints are necessary.

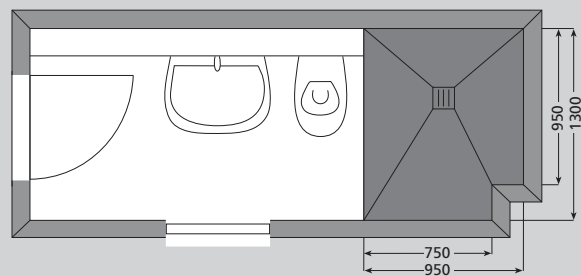
Planopor - Planofloor - Planoline: Variable shape and size

Unlike conventional shower trays, a shower tiled to floor level is not tied to standard dimensions. The shape and size of showers tiled to floor level can be adapted to niches, brickwork, shafts and even quirky floor plans. The position and direction of the outlet can also be freely chosen.

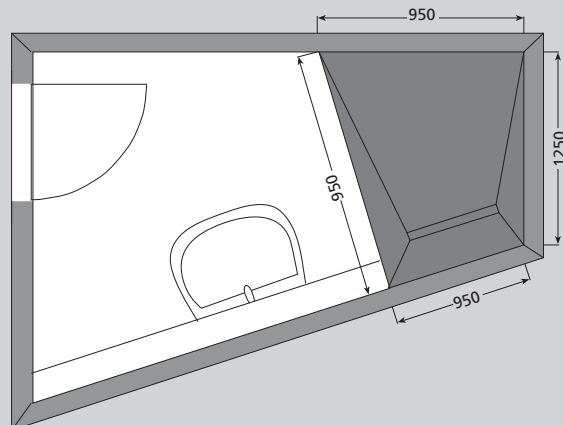
Shower elements tiled to floor level
fit in niches



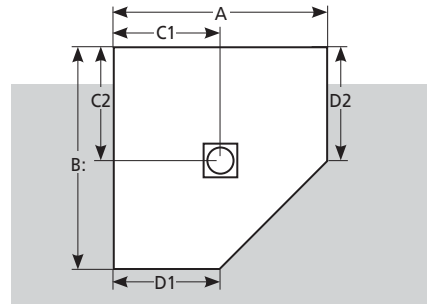
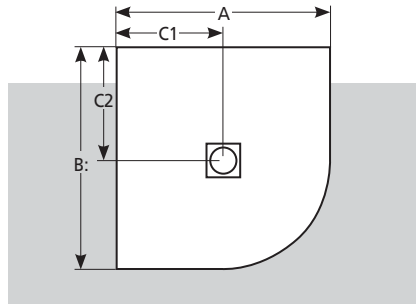
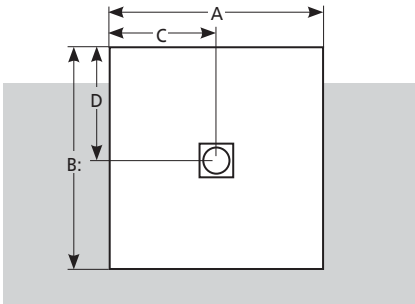
Shower elements tiled to floor level
fit round chimneys and shafts



Shower elements tiled to floor level
fit in any floor plan



Planopor



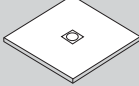
Recipient:
Herbert Burda GmbH
Fax 0211 500575

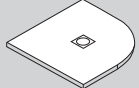
Sender

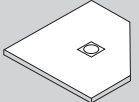
ORDER Special design

Date: _____ Commission/Order No. _____

Dear Ladies and Gentlemen!
We hereby order as follows:

Product description	Quantity	Length in mm A	Width in mm B:	Outlet size in mm C	Outlet size in mm D	Outlet ture	Substruc-
Planopor shower element Rectangle 	_____	<input type="text"/>	<input type="text"/>	<input type="text"/>	<input type="text"/>	Horizontal <input type="checkbox"/> Vertical <input type="checkbox"/>	With <input type="checkbox"/> Without <input type="checkbox"/>

Product description	Quantity	Length in mm A	Width in mm B:	Outlet size in mm C1	Outlet size in mm C2	Radius in mm	Outlet ture	Substruc-
Planopor shower element Quadrant 	_____	<input type="text"/>	<input type="text"/>	<input type="text"/>	<input type="text"/>	<input type="text"/>	Horizontal <input type="checkbox"/> Vertical <input type="checkbox"/>	With <input type="checkbox"/> Without <input type="checkbox"/>

Product description	Quantity	Side length in mm A	Side length in mm B:	Outlet size in mm C1	Outlet size in mm C2	Side length in mm	Side length in mm	Outlet ture	Substruc-
Planopor shower element Pentagon 	_____	<input type="text"/>	<input type="text"/>	<input type="text"/>	<input type="text"/>	<input type="text"/>	<input type="text"/>	Horizontal <input type="checkbox"/> Vertical <input type="checkbox"/>	With <input type="checkbox"/> Without <input type="checkbox"/>

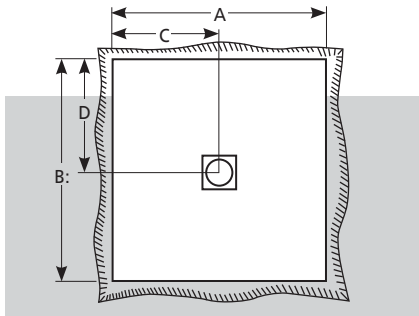
Contact person:

Telephone:

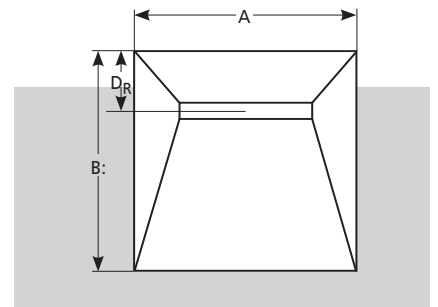
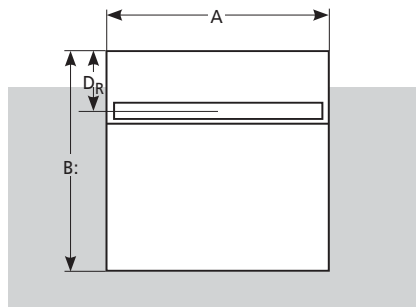
Fax:

Date/Signature

Planofloor



Planoline




Recipient:
Herbert Burda GmbH
Fax 0211 500575

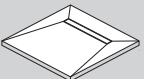
Sender

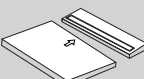
ORDER Special design

Date: Commission/Order No.

Dear Ladies and Gentlemen!
We hereby order as follows:

Product description	Quantity	Length in mm A	Width in mm B:	Outlet size in mm C	Outlet size in mm D	RAL Colour	Outlet ture	Substruc-
Planofloor shower element Rectangle 							Horizontal <input type="checkbox"/> Vertical <input type="checkbox"/>	With <input type="checkbox"/> Without <input type="checkbox"/>

Product description	Quantity	Length in mm A	Width in mm B:	Outlet size in mm D _R	Channel length	Outlet ture	Substruc-
Planoline shower element one part 					700 mm <input type="checkbox"/> 900 mm <input type="checkbox"/> 800 mm <input type="checkbox"/> 1000 mm <input type="checkbox"/>	Horizontal <input type="checkbox"/> Vertical <input type="checkbox"/>	With <input type="checkbox"/> Without <input type="checkbox"/>

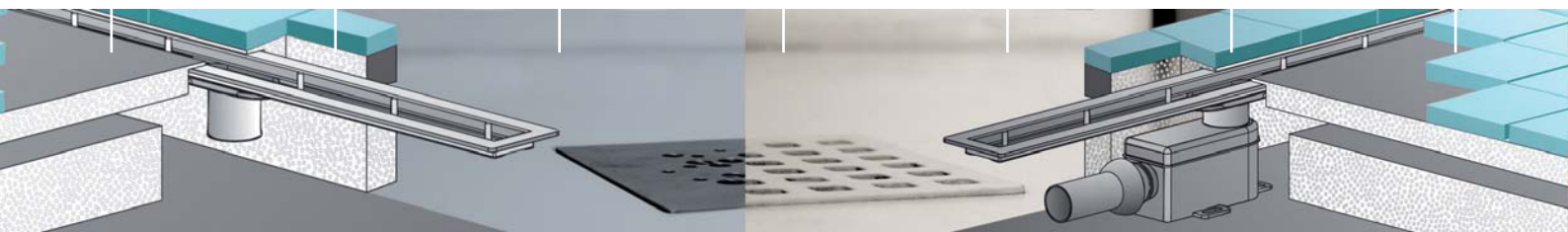
Product description	Quantity	Length in mm A	Width in mm B:	Outlet size in mm D _R	Channel length	Outlet ture	Substruc-
Planoline shower element two part 					700 mm <input type="checkbox"/> 900 mm <input type="checkbox"/> 800 mm <input type="checkbox"/> 1000 mm <input type="checkbox"/>	Horizontal <input type="checkbox"/> Vertical <input type="checkbox"/>	With <input type="checkbox"/> Without <input type="checkbox"/>

Contact person:

Telephone:

Fax:

Date/Signature



burda

Herbert Burda GmbH
Krefelder Straße 87
40549 Düsseldorf

tel. +49 211 95001-0
fax. +49 211 500575

www.burda-online.com