

BS+ Plus

Drywall installation system

burda



BS+ Plus

The versatile drywall installation system for subsequent planking

BS+ Plus

The BS+ Plus installation range is the universally applicable, industrially pre-assembled element system for stud wall and front wall installation.

This extensive range includes elements for toilets, urinals, bidets and washstands, as well as the appropriate elements for barrier-free construction.

Ready-made elements are also available for special applications such as countertop washbasins with wall fittings, water metres or urinal electronics.

With all units the fitter is free to choose between cisterns from various brand manufacturers and decide for himself what type of pre-fitted connection should be supplied with the element.

Vorteile

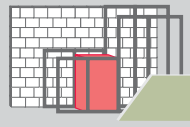
- More stability through stronger profiles
- Low noise through complete sound-insulation
- Exact fit for drywall profile



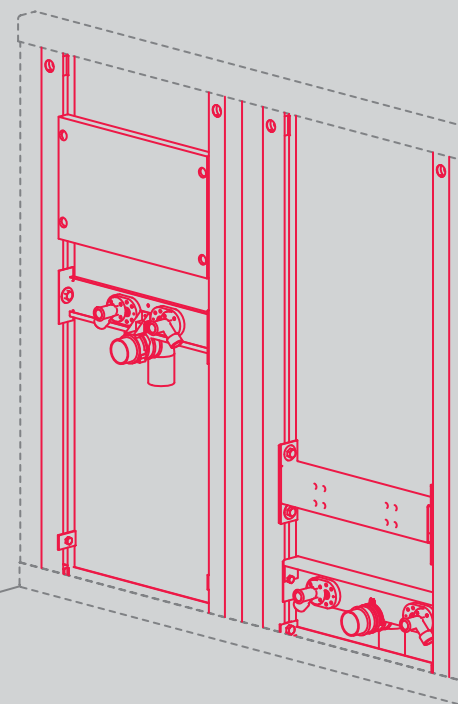
In stud wall



In front
of stud wall



In front
of solid wall



MANY GERMAN
BRANDED CISTERNS
AVAILABLE



Complete WC set for the disabled



Bidet element



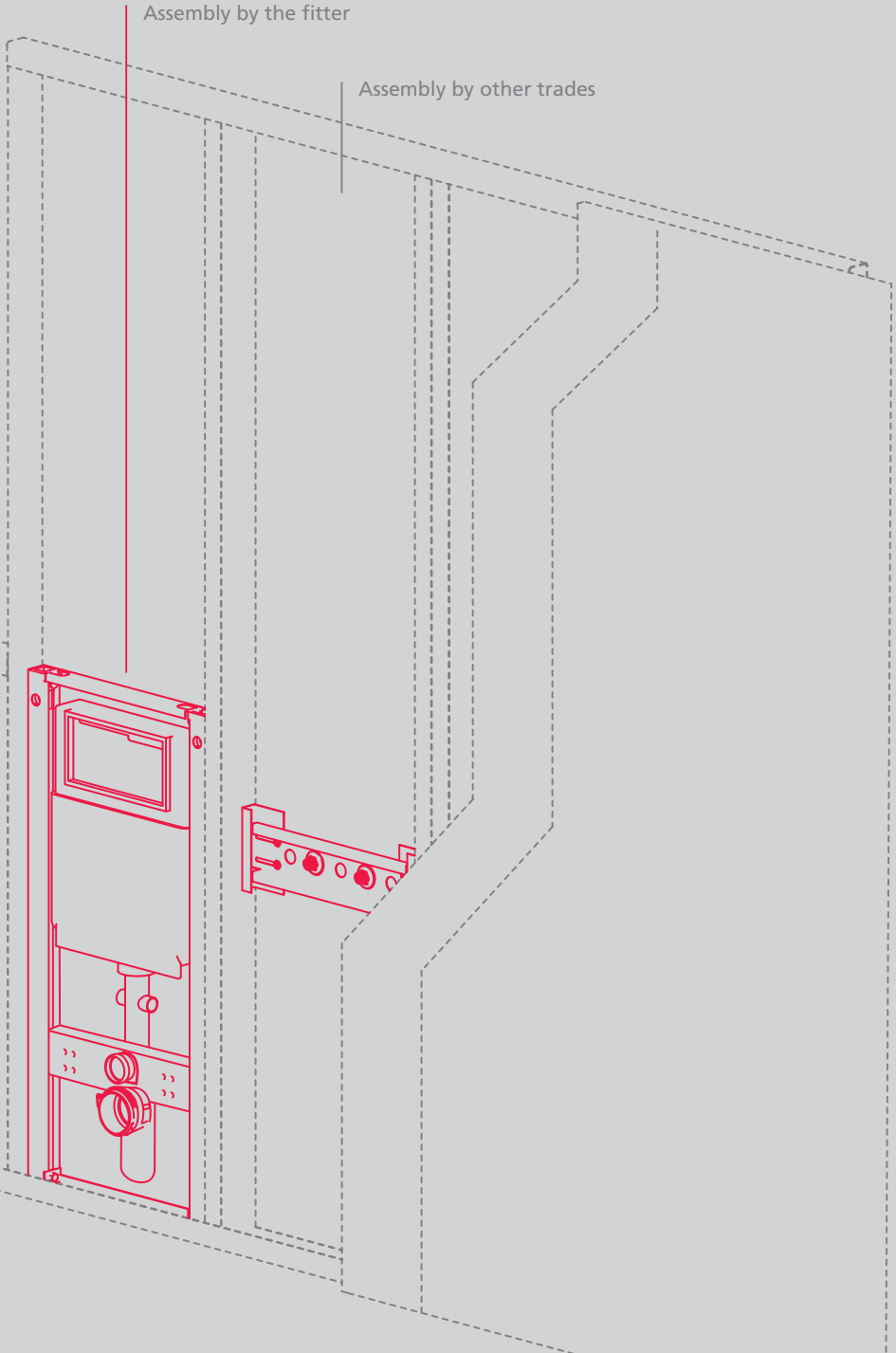
Fitting element



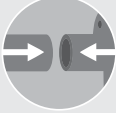




WC element



Washstand element

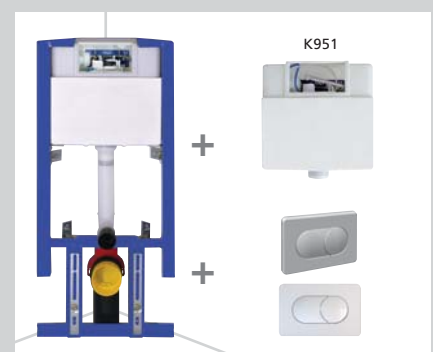
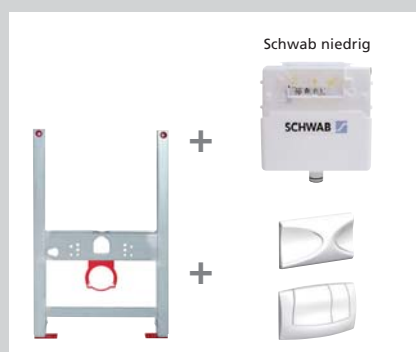
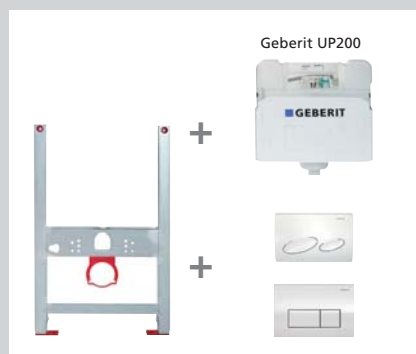


-  For subsequent planking
-  Sound insulation DIN 4109
-  Choice of connections
-  Materials used
-  DVGW standard

BS+ Plus

The versatile drywall installation system for subsequent planking

Some examples of possible combinations for WC



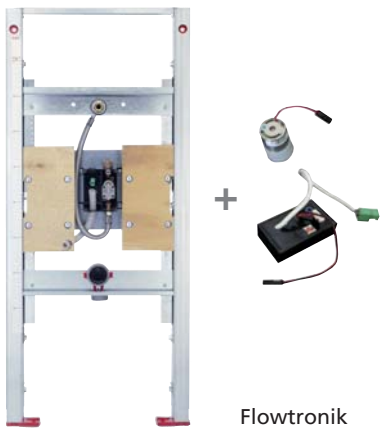
Diversity is our strength

The wide range of accessories offers endless combination options

Different cisterns of renowned German brand manufacturers allow the mounting of the most varied flush buttons. The best adapted solutions can be found for urinals for every requirement, both in the public or private sector.

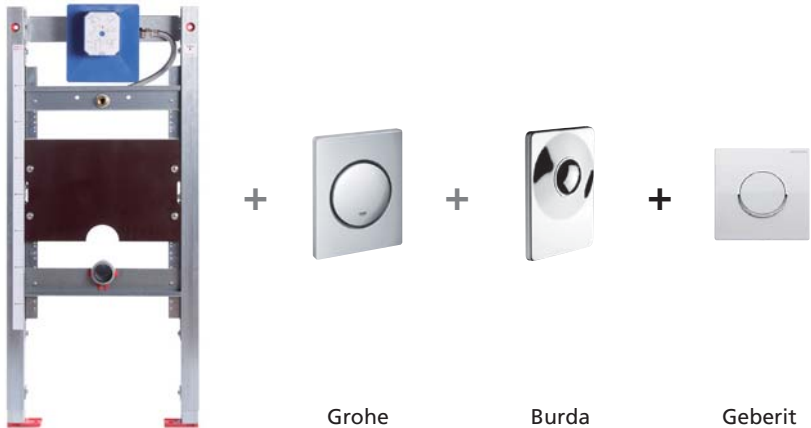
Some examples of possible combinations for urinal

Siphon control



Flowtronik

Flush valve



Grohe Burda Geberit

Electronics



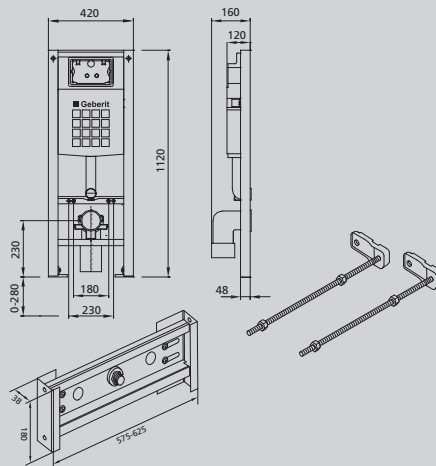
Burda IR Burda IR Solar Dallmer Burda/Wimtec Schell IR

Geberit Grohe Grohe Radar
Covered installation

BS+ Plus

The versatile drywall installation system for subsequent planking

The barrier-free toilet



Benefits

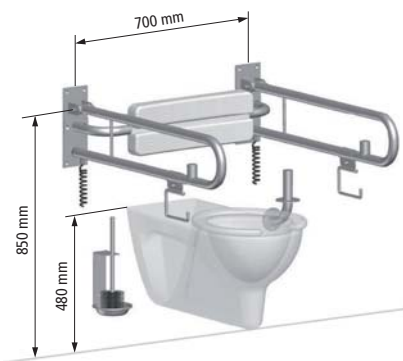
An already completely prefabricated element

Meets all standards for barrier-free living

Meets the noise standard 4109 (SSTIII) Comfort sound insulation

Variable choice of several cisterns, for example, Geberit, Grohe DAL...

Standards and clearances: WC



- Mounting height
Top edge of seat
- WC depth
Distance from leading edge/Wall
- Movement surface
Front of the WC
- Lateral movement area
Next to the toilet
- Lateral gap
from WC to the wall
- Folding handles
 - Mounting level
 - Mounting distance
 - Cistern trigger
 - With paper roll holder
- Backrest

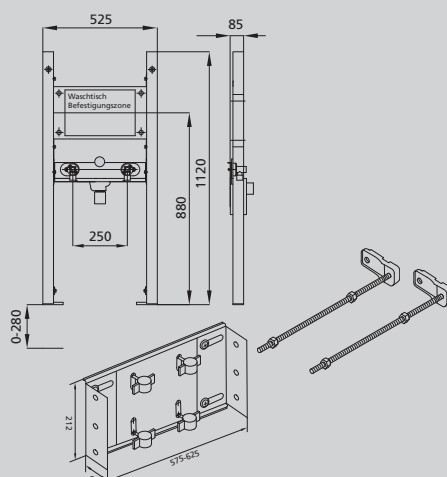
	DIN 18024/2 Public	DIN 18025/1 Private	DIN 18025/2 Private
Mounting height Top edge of seat	48 cm	48 cm	individual
WC depth Distance from leading edge/Wall	70 cm	70 cm	individual
Movement surface Front of the WC	Width x Depth 150 x 150 cm	Width x Depth 150 x 150 cm	Width x Depth 120 x 120 cm
Lateral movement area Next to the toilet	Both sides 95 cm	at least 30 cm	individual
Lateral gap from WC to the wall	at least 95 cm	at least 30 cm	individual
Folding handles	both sides	individual	individual
- Mounting level	85 cm	individual	individual
- Mounting distance	70 cm	individual	individual
- Cistern trigger	both sides	individual	individual
- With paper roll holder	both sides	individual	individual
Backrest	55 cm Behind front edge of WC	individual	individual

Barrier-free solutions for secure bathrooms

All requirements can be more than met by the BS+ Plus system

In recent years the issue of accessibility has moved increasingly into focus by the demographic trend. Not only people with disabilities but also senior citizens do not want to give up a safe, comfortable bathroom. The standards and clearances for installation in public and private premises listed below facilitate the planning.

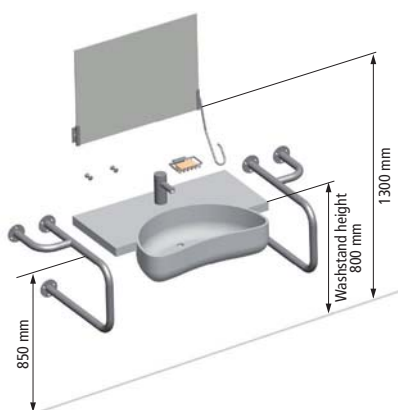
The barrier-free washstand



Benefits

- An already completely prefabricated element
- Meets all standards for barrier-free living
- Meets the noise standard 4109 (SSTIII) Comfort sound insulation
- Optionally available for single-hole/ or wall mixer, and various flush-mounted elements according to specification

Standards and clearances: Washstand

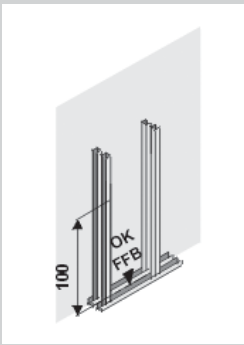


	DIN 18024/2 Public	DIN 18025/1 Private	DIN 18025/2 Private
Mounting height Top edge of washstand	80 cm	individual	individual
Movement surface Front of the washstand	Width x Depth 150 x 150 cm	Width x Depth 150 x 150 cm	Width x Depth 120 x 120 cm
Lateral gap from wash-stand to the wall	at least 20 cm (better 30 cm)	at least 20 cm (better 30 cm)	at least 20 cm (better 30 cm)
Contactless single handle Fitting with scald protection	required	required	individual
Clearance underneath	Legroom in 30 cm depth and in 67 cm height	Legroom in 30 cm depth and in 67 cm height	Legroom in 30 cm depth and in 67 cm height
Soap dispenser Lateral retrieval height	85 - 100 cm	individual	individual
Flat wall-mounted or flush-mounted siphon	required	required	required
Mirror	can be used while sitting + standing Bottom edge of adjustable mirror 130 cm or continuous	individual individual	individual individual

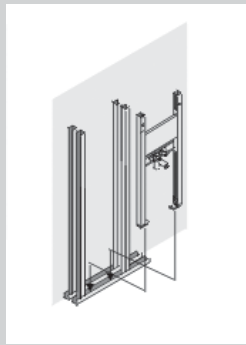
BS+ Plus

The versatile drywall installation system for subsequent planking

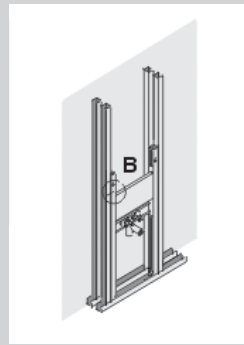
Installation in a stud wall



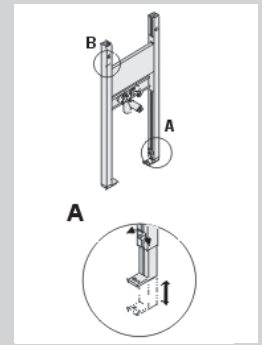
1. Transferring setting out points to the standing C-profiles.



2. Insertion of the element in the stud wall.

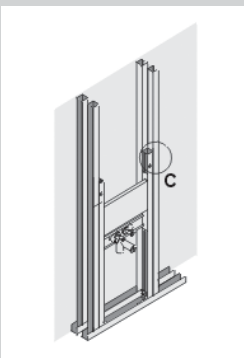


3. Align setting out points on the stud wall flush with the marking on the element. (B)

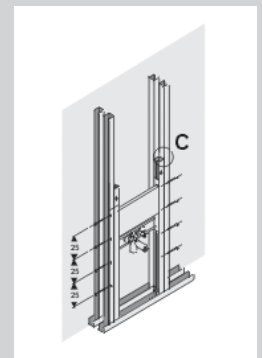
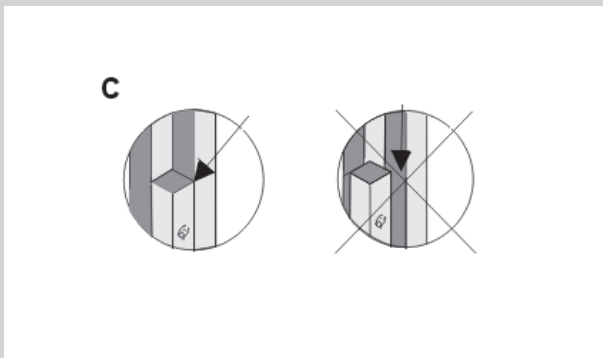


4. – Loosen nut
– Move foot to required size
– Tighten nut

The height of the element is adjusted using the feet on the element. (A)



5. Align outer edges of the element flush with the outer edges of the stud wall and fix position. (C)



6. Aligned stud wall element combination screwed on the side and on the floor.

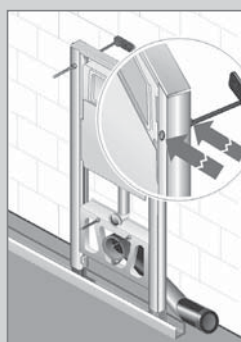
Note: The planking must always cover the whole area, without gaps and be screwed in place.

Simple installation

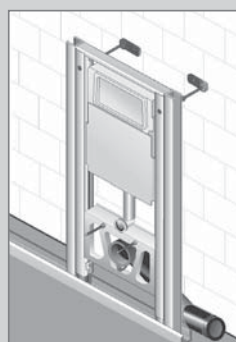
The installation is easy and fast due to the accurate fit of the prefabricated elements

The installation in a stud wall or front wall installation is graphically demonstrated in the step by step installation to ensure a fast mounting.

Installation in a front wall installation

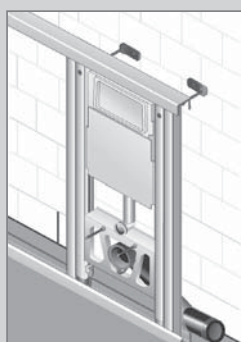


1. Fasten the U-profile to the floor at the required distance to the wall and place the BS+ Plus element into it. Install the two wall brackets supplied as accessories to the BS+ Plus element and adjust the gap between the element and the wall with the aid of the wall brackets. Cut the threaded rods off so that they no longer protrude from the element. Tighten the lock nuts.



2. On the left and right of the element, use the self-tapping screws to fasten a C-profile on each side, which are additionally joined to the U-profile with pop rivets at the bottom.

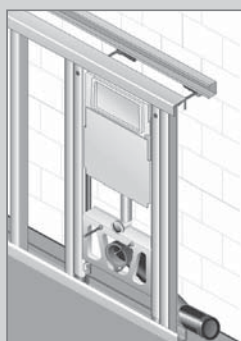
Note: Basically, all C and U-profiles are joined with pop rivets or profile-connecting pliers.



3. Put another U-profile over the element in the required length, which will act as a shelving area.



4. Extend the levels, in which the elements are located, as stud walls. The stud wall must be extended with a C-profile every 625 mm or a new element put in place.



5. Now attach another U-profile (reverse side facing the wall) at the same height as the top edge of the element.



6. Plank this construction with plaster board panels suitable for wet rooms. The planking must always be doubled, cover the whole area and be without gaps! In addition, screws must be used in the WC area!

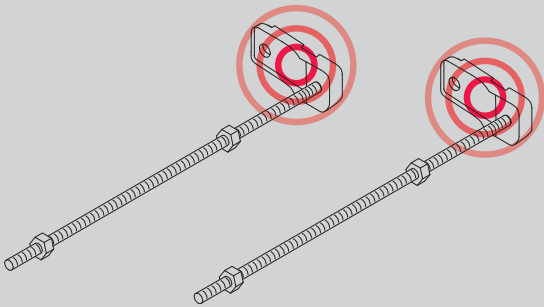
BS+ Plus

The versatile drywall installation system for subsequent planking

Completely sound-insulated at the factory

Sound-insulated plastic inserts for the fastening of the front wall set

Optional
Sound-insulated front wall set



Sound-insulated plastic inserts for the inclusion of the PE-HD elbow connector

Sound-insulated, pull-out Plastic feet



Noise regulation

BS+ Plus covers the requirements of DIN 4109 and shows above-average values

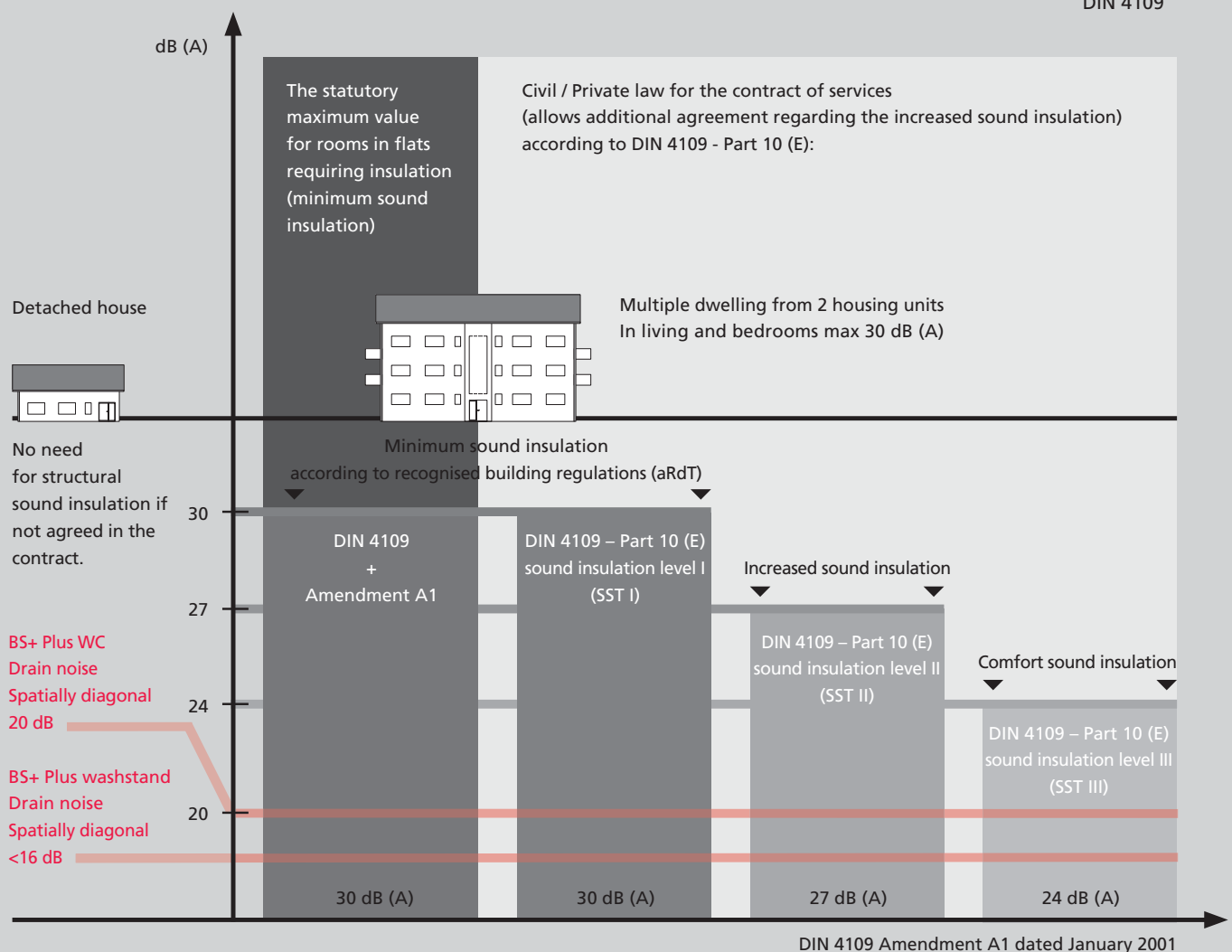
Inadequate sound protection leads to a deterioration in the quality of home life. Your customers have a right to know that the noise standards are met for a redesign of the sanitary facility.

Sound insulation on BS+ Plus elements



Sound insulation
DIN 4109

Without additional measures, the best sound insulation values are achieved with the incorporation of BS+ elements.





burda

Herbert Burda GmbH
Krefelder Straße 87
40549 Düsseldorf

tel. +49 211 95001-0
fax. +49 211 50 05 75

www.burda-online.com